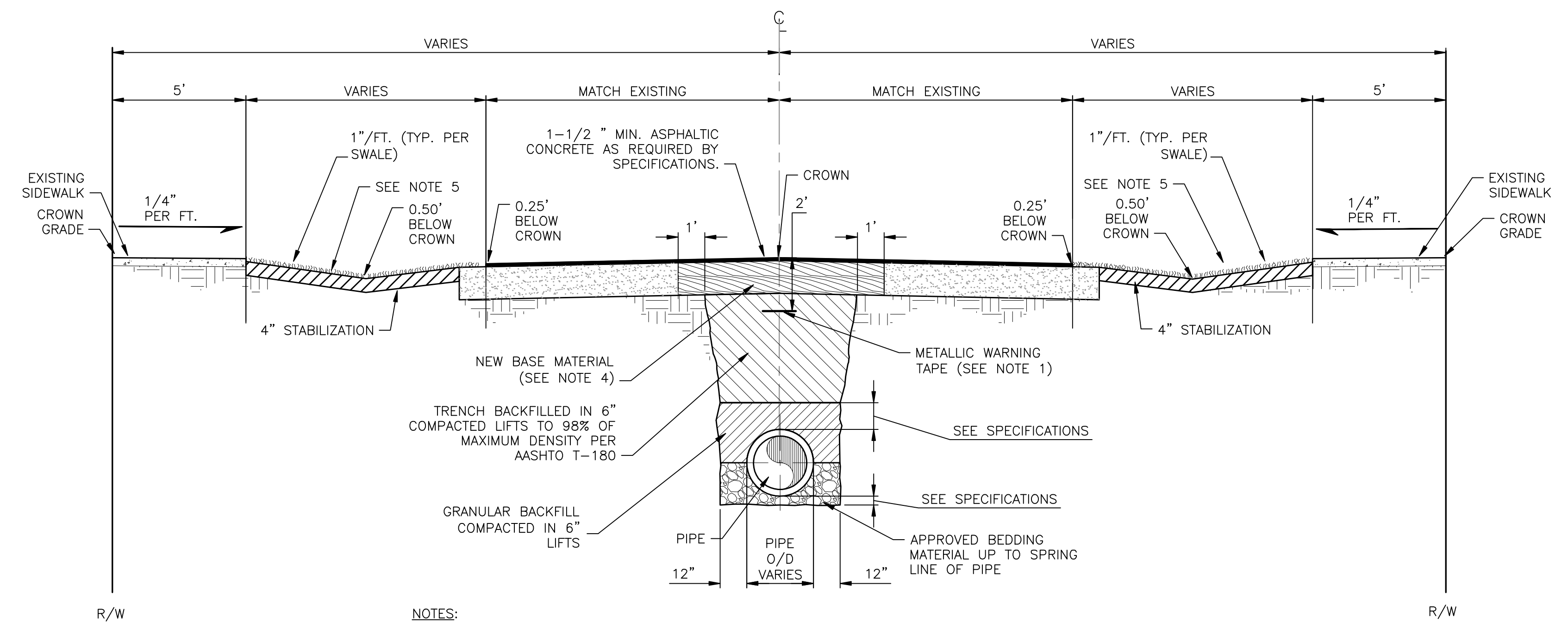


- NOTES:**
- UNLESS OTHERWISE SPECIFIED SELECTED MATERIAL SHALL BE FREE OF STONES LARGER THAN 3/8" DIA.
  - REPLACE ALL EXISTING LANE MARKINGS AND REFLECTIVE MARKERS DAMAGED BY CONSTRUCTION ACTIVITIES.
- T=6" PARKING  
T=12" MIN. 18" MAX

**TYPICAL TRENCH AND PAVEMENT RESTORATION FOR TRANSVERSE CROSSING**

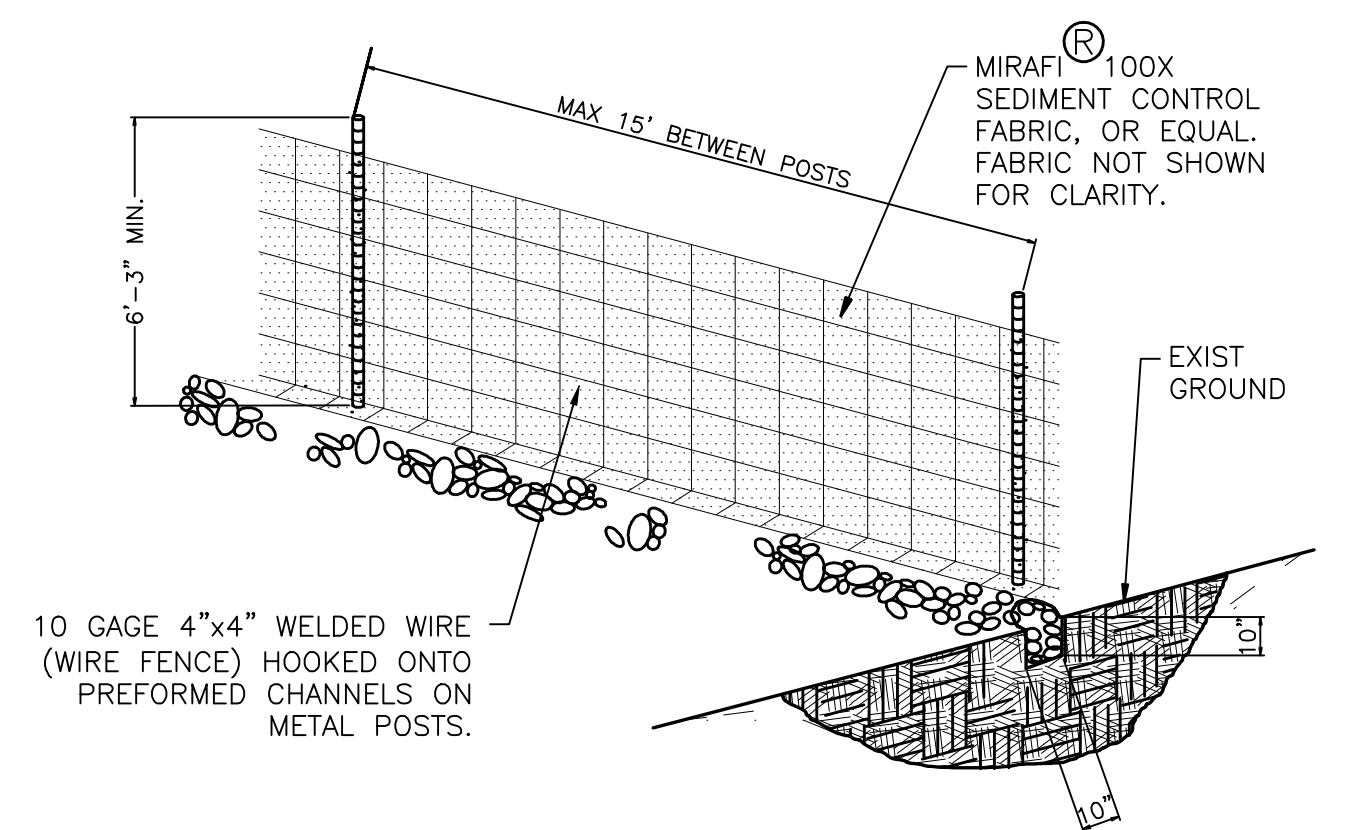
D100



- NOTES:**
- 2" WIDE METALLIC WARNING TAPES SHALL BE INSTALLED 24" BELOW FINISH GRADE. DOES NOT APPLY TO STORM DRAINAGE PIPE INSTALLATION.
  - UNLESS OTHERWISE SPECIFIED SELECTED MATERIAL SHALL BE FREE OF STONES LARGER THAN 3/8" DIA.
  - REPLACE ALL LANE MARKINGS AND REFLECTIVE MARKERS.
  - 12" MIN. LIMEROCK BASE PLACED IN 6" LAYERS AND COMPACTED TO 98% OF MAXIMUM DENSITY PER AASHTO T-180
  - BAHIA SOD -OR- ST. AUGUSTINE "FLORITAM" SOD IN PREVIOUSLY SODDED AREAS -OR- REPLACE EXISTING IMPROVED SURFACE (e.g., ROCK OR ASPHALT PAVING TO MATCH EXISTING -IF ASPHALT, MINIMUM 1" ASPHALT OVER MINIMUM 6" COMPACTED LIMEROCK)

**TYPICAL ROAD SECTION, TYPICAL TRENCH, PAVEMENT AND SWALE RESTORATION FOR PARALLEL PIPE TRENCH**

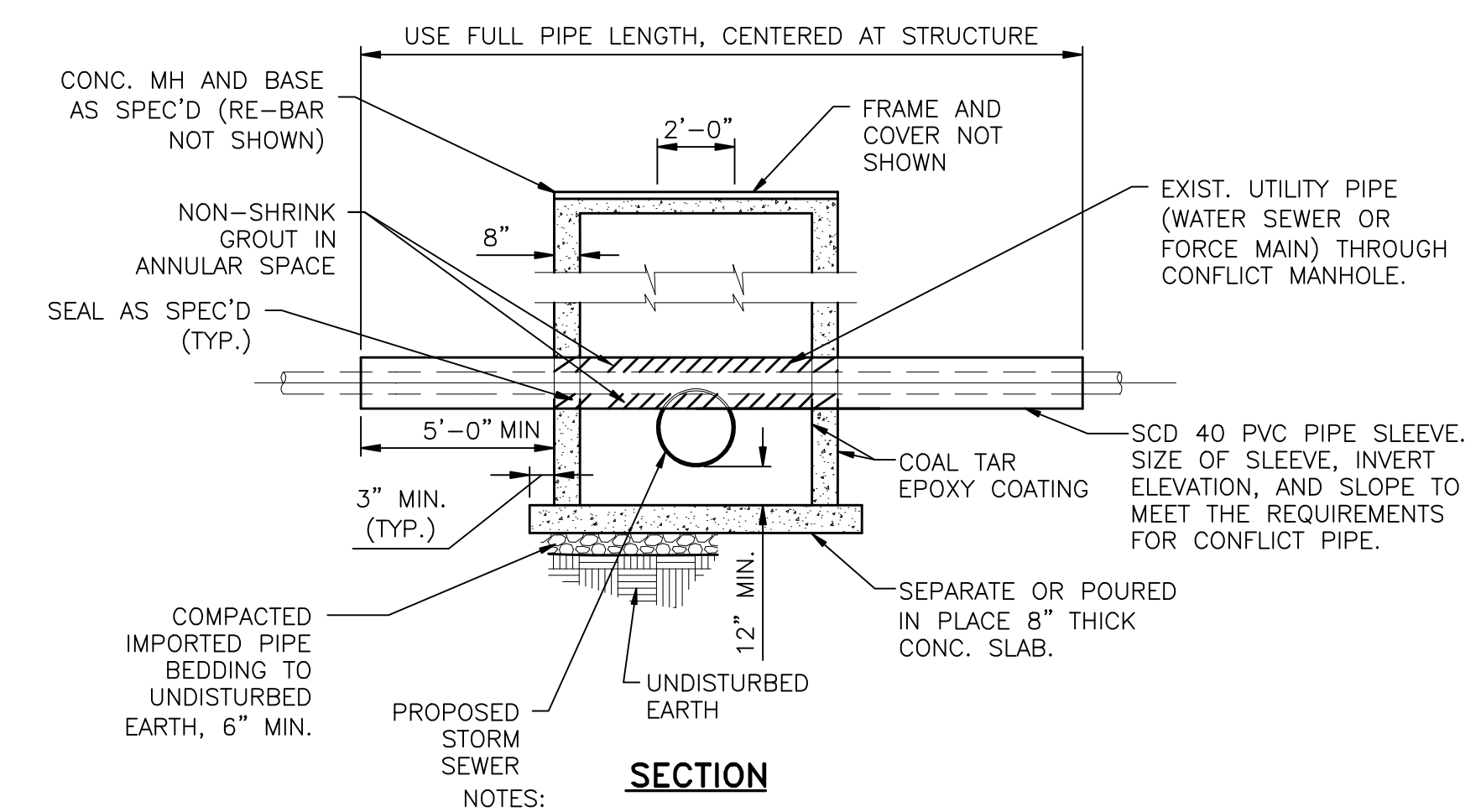
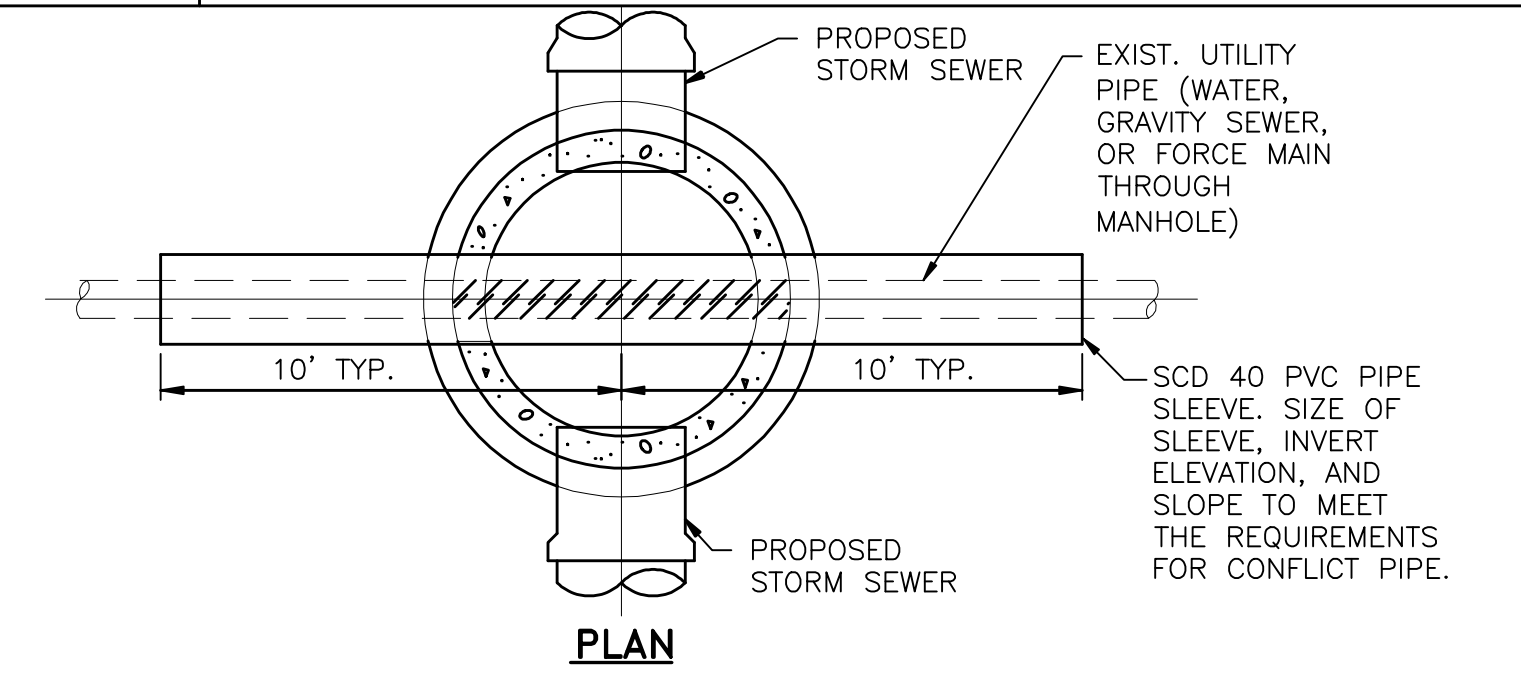
100B



- NOTES:**
- DRIVE WOOD POSTS (1.3 LBS/FT MIN) 18" MIN INTO GROUND AND EXCAVATE A 4"x4" TRENCH UPHILL 5' LONG (MIN) ALONG LINE OF POSTS. WOOD.
  - POSTS 4" IN DIAMETER OR 2"x4" MAY BE USED. ATTACH WIRE FENCE TO POSTS AND EXTEND THE BOTTOM OF THE FENCE 8" INTO THE EXCAVATED TRENCH. ALTERNATE : USE SEDIMENT CONTROL FABRIC WITH PRE-SEWN POCKETS FOR POSTS SO THAT WIRE FENCE IS NOT REQ'D.
  - ATTACH THE SEDIMENT CONTROL FABRIC (36" WIDE) TO THE WIRE FENCE W/METAL CLIPS OR WIRE AND EXTEND THE BOTTOM OF THE FABRIC 6" INTO THE TRENCH.
  - BOTTOM OF SEDIMENT CONTROL FABRIC MUST BE PLACED IN TRENCH AND SECURED WITH GRANULAR FILL TO A HEIGHT OF 6" ABOVE GROUND LEVEL, SO THAT RUNOFF IS FORCED TO GO THROUGH THE FENCE AND CANNOT GO UNDER IT.
  - SILT FENCE SHALL BE MAINTAINED AND TRAPPED SEDIMENTS SHALL BE REMOVED BY THE CONTRACTOR PERIODICALLY AS DETERMINED BY THE ENGINEER OR AS NECESSARY (MAX. 6 MONTHS).
  - THE CONTRACTOR IS REQUIRED TO REMOVE ALL SILT FENCES AND AREA TO BE RESTORED TO THE ORIGINAL CONDITION UPON COMPLETION OF CONSTRUCTION.

**SILT FENCE DETAIL**

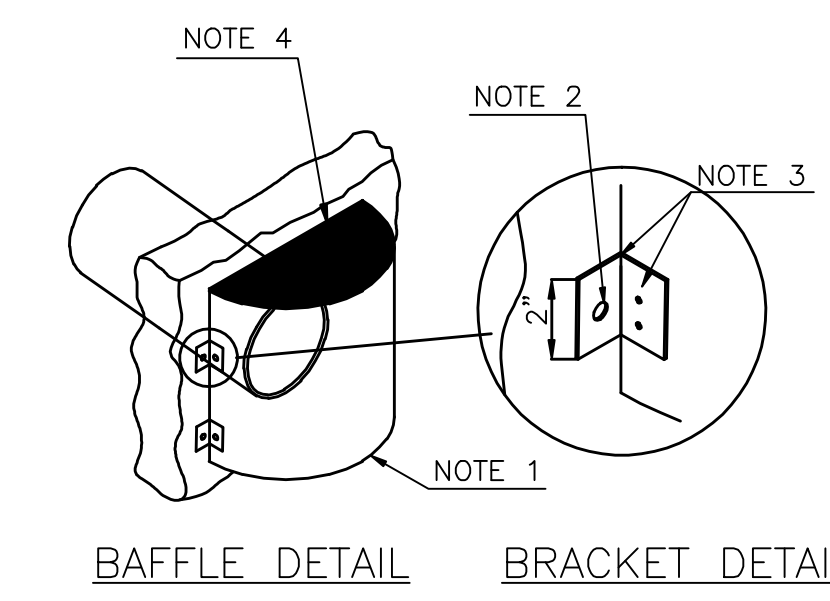
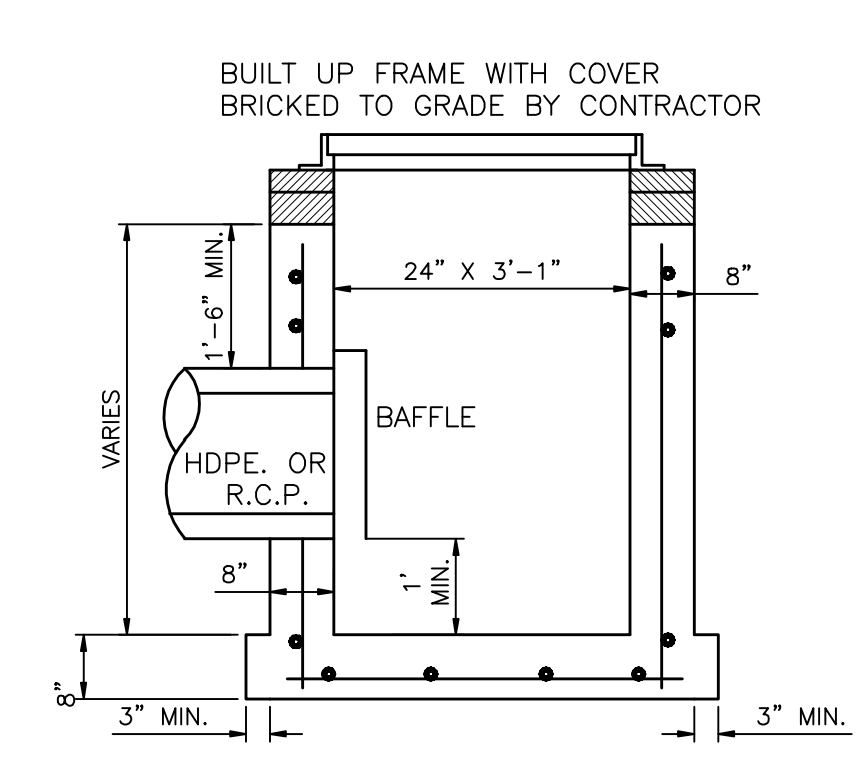
D105



- NOTES:**
- CONTRACTOR SHALL DETERMINE PIPE SIZES, PIPE INVERT ELEVATIONS AND ANGLES OF PIPE ENTRY AND EXIT.
  - ALL CONFLICT MANHOLES SHALL CONFORM TO THE REQUIREMENTS SHOWN ON THE CITY OF FORT LAUDERDALE ENGINEERING PLAN AND SPECS.

**CONFLICT MANHOLE FOR NEW STORM SEWERS**

D603



- NOTES:**
- BAFFLE SHALL BE C.M.P. OR C.A.P. SECTION (OUTFALL DIAMETER PLUS 6").
  - 1/2" GALV. WEDGE ANCHORS (ULT. PULLOUT 6000, ULT. SHEAR 5900.)
  - WELD OR 2-3/8" THRU BOLTS
  - BOLTED TO WALL WITH TOP CAPPED. (WATER TIGHT)

**TYPE "C" CATCH BASIN (USP 3-3.0)**

- NOTES:**
- MINIMAL CONC. STRENGTH FOR ALL CATCH BASINS AND MANHOLE STRUCTURES SHALL BE 4000 PSI.
  - CONTRACTOR IS RESPONSIBLE FOR FINAL ELEVATION AND LOCATION ADJUSTMENTS OF CATCH BASINS, GRATES, MANHOLES DUE TO FIELD CONSTRAINTS.
  - THE 12" WEEP HOLE SHALL NOT BE USED IF THE BOTTOM OF THE INLET OR MANHOLE IS BELOW THE NORMAL WATER TABLE, UNLESS OTHERWISE SHOWN ON PLANS.

**POLLUTION RETARDANT BASIN & BAFFLE DETAIL FOR NEW STORM SEWERS**

D621

**FINAL APPROVAL**  
FLA. P.E. NO. 00000  
PETER PARTINGTON

**SCALE:** N.T.S.  
**DRAWN BY:** A.C.  
**DESIGNED BY:** E.D.  
**CHECKED BY:** E.D.  
**DATE:** FEB., 2006  
**FIELD BOOK:** 0000/00-00

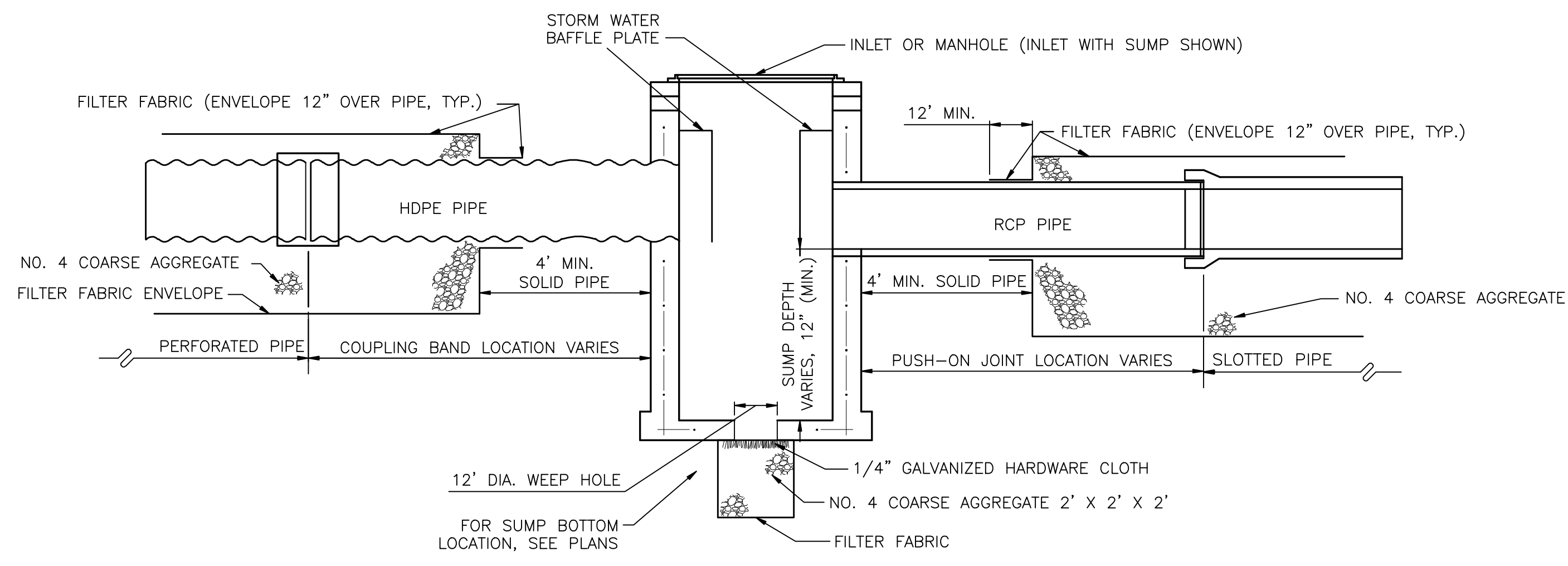
**CITY OF FORT LAUDERDALE**  
**PUBLIC WORKS DEPARTMENT**  
**ENGINEERING DIVISION**  
**FORT LAUDERDALE, FLORIDA**

REVISIONS	
NO.	DESCRIPTION

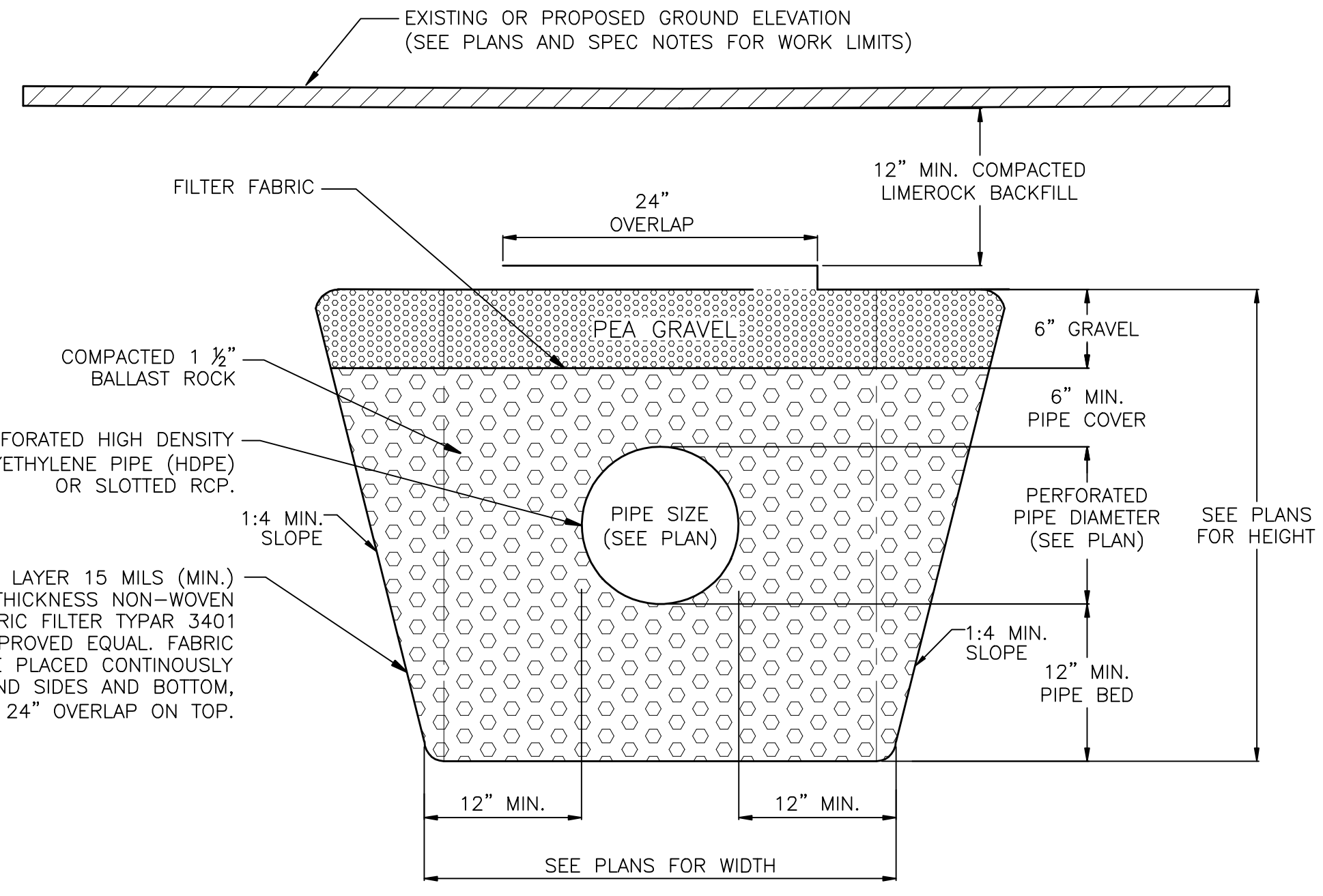
**STANDARD DETAIL SHEET**

PROJECT # 0000  
Name of job  
Description  
Street Address  
STORM DRAINAGE DETAILS

NO. OF SHEETS: 00  
SHEET NO.: 0  
CAD FILE NO. XXXXX-001-010WATR  
FILE NO. 04-000-00



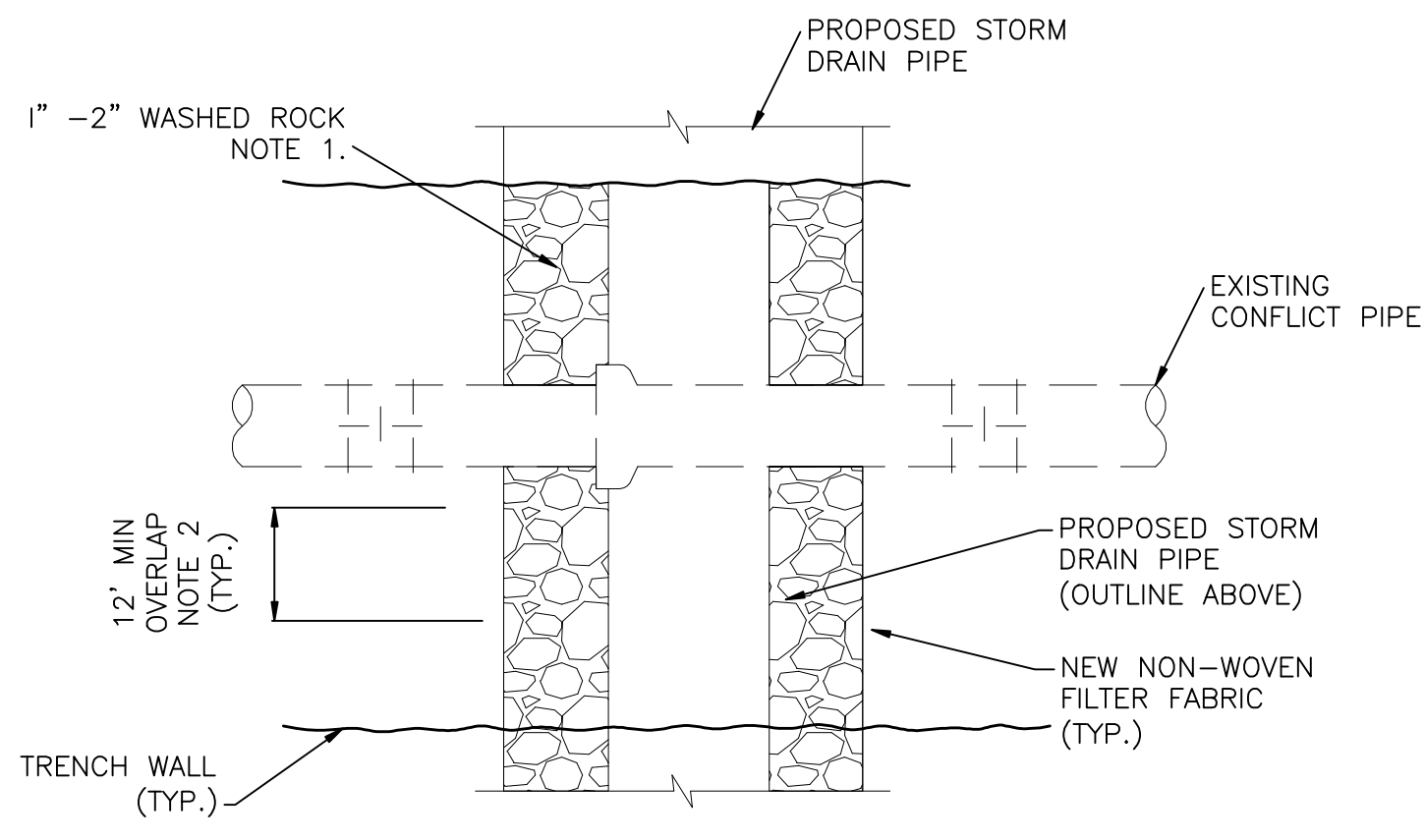
LONGITUDINAL CROSS SECTION



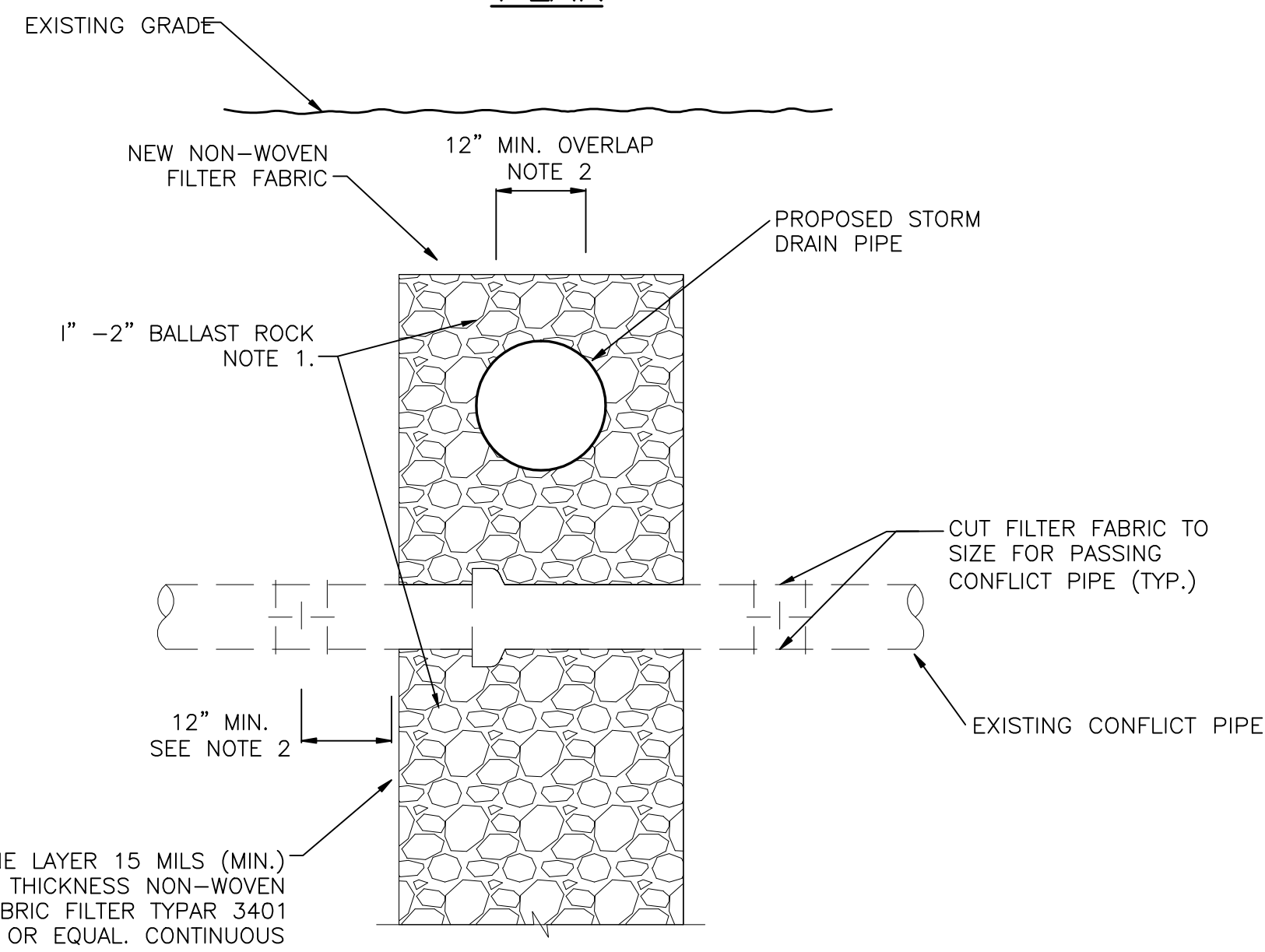
TRANSVERSE CROSS SECTION

- NOTES:
1. CONTRACTOR MUST READ AND ABIDE THE CITY'S GENERAL CONSTRUCTION NOTES AND DRAINAGE DESIGN NOTES PRIOR TO STARTING CONSTRUCTION.
  2. THE STANDARD CROSS SECTION SHALL BE CONSTRUCTED UNLESS OTHER SECTIONS ARE DESCRIBED OR DETAILED ON PLANS.
  3. THE CONTRACTOR SHALL TAKE THE NECESSARY PRECAUTIONS TO PREVENT CONTAMINATION OF THE TRENCH WITH SAND, SILT AND FOREIGN MATERIALS.
  4. THE 12" WEEP HOLE SHALL NOT BE USED IF THE BOTTOM OF THE INLET OR MANHOLE IS BELLOW THE NORMAL WATER TABLE, UNLESS OTHERWISE SHOWN ON PLANS.
  5. FRENCH DRAINS MUST BE INSPECTED BY THE ENGINEERING INSPECTOR PRIOR TO CONTRACTOR BACKFILLING.

EXFILTRATION TRENCH SYSTEM (D620)



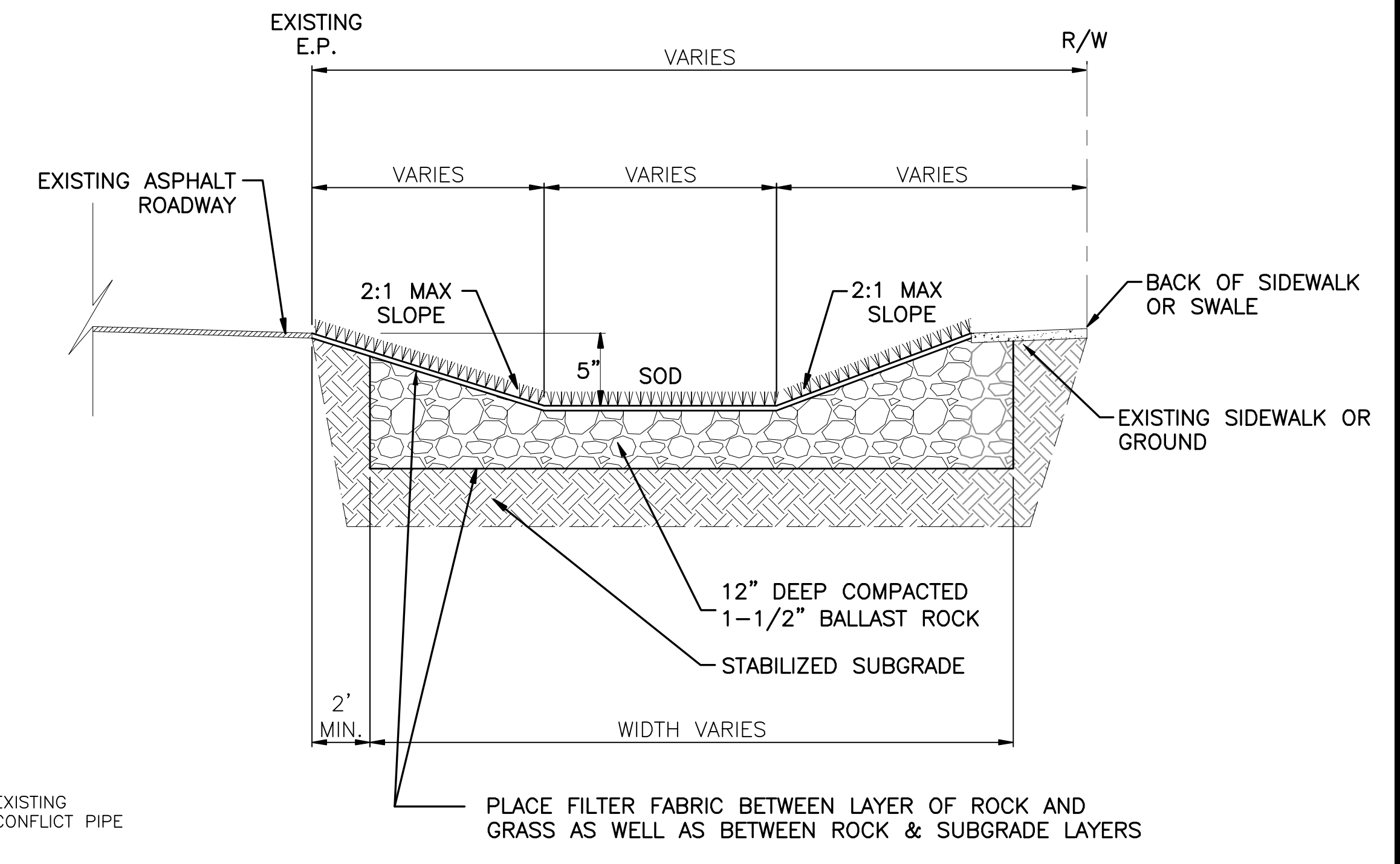
PLAN



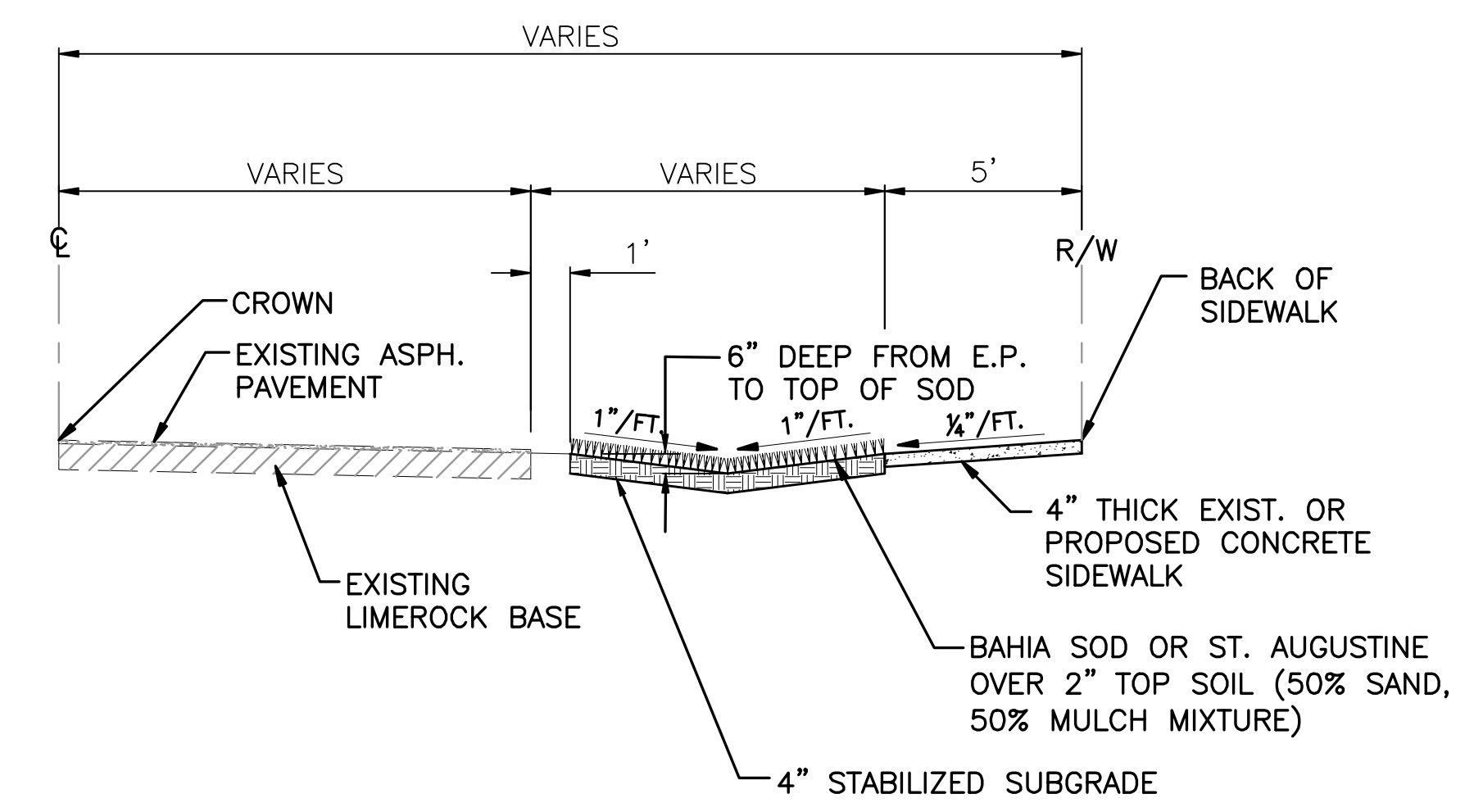
SECTION

- NOTES:
1. EQUIVALENT STONE TO REPLACE DISTURBED ROCK (1" TO 2" BALLAST ROCK).
  2. THE RESTORATION OF THE EXISTING TRENCH SHALL OVERLAP THE CUT WITH NEW NON-WOVEN FILTER FABRIC AND EXTENDED BEYOND THE CUT BY 1-FT. BOTTOM OF CUT SHALL ALSO BE REPAIRED WITH OVERLAPPING FABRIC.
  3. AVOID INTRODUCING SAND AND SOIL INTO THE EXPOSED FRENCH DRAIN ROCK.
  4. COMPACT SOIL SURROUNDING THE TRENCH IN 6" LIFTS OR PER TRENCH RESTORATION DETAIL.

EXFILTRATION TRENCH AND CONFLICT PIPE DETAIL (D602)



BALLAST ROCK SWALE PROFILE (D610)



6" SWALE PROFILE (D611)

FINAL APPROVAL		FLA. P.E. NO. 00000	
SCALE: N.T.S.		PETER PARTINGTON	
DRAWN BY: A.C.	DESIGNED BY: E.D.	DATE: FEB., 2006	FIELD BOOK: 0000/00-00
<b>CITY OF FORT LAUDERDALE</b> <b>PUBLIC WORKS DEPARTMENT</b> <b>ENGINEERING DIVISION</b> <b>FORT LAUDERDALE, FLORIDA</b>			
NO.	DATE	CHK'D	DESCRIPTION
<b>STANDARD DETAIL SHEET</b>			
PROJECT # 0000			
Name of job			
Description			
Street Address			
STORM DRAINAGE DETAILS			
NO. OF SHEETS: 00			
SHEET NO.: 0			
CAD FILE NO. XXXXX-001-010WATR			
FILE NO. 04-000-00			

xx/sv/bk

STRM01